

RUPTURE DISK * "BURST PLUGS"



RUPTURE DISK - MAIN FEATURES

- Ranges from 2500 psi (170 bar) to 15000 psi (1000 bar)
- Rated to 750°F (400°C)
- Two length options
- Low installation and maintenance
- Stainless-steel body and Inconel diaphragm (disk)

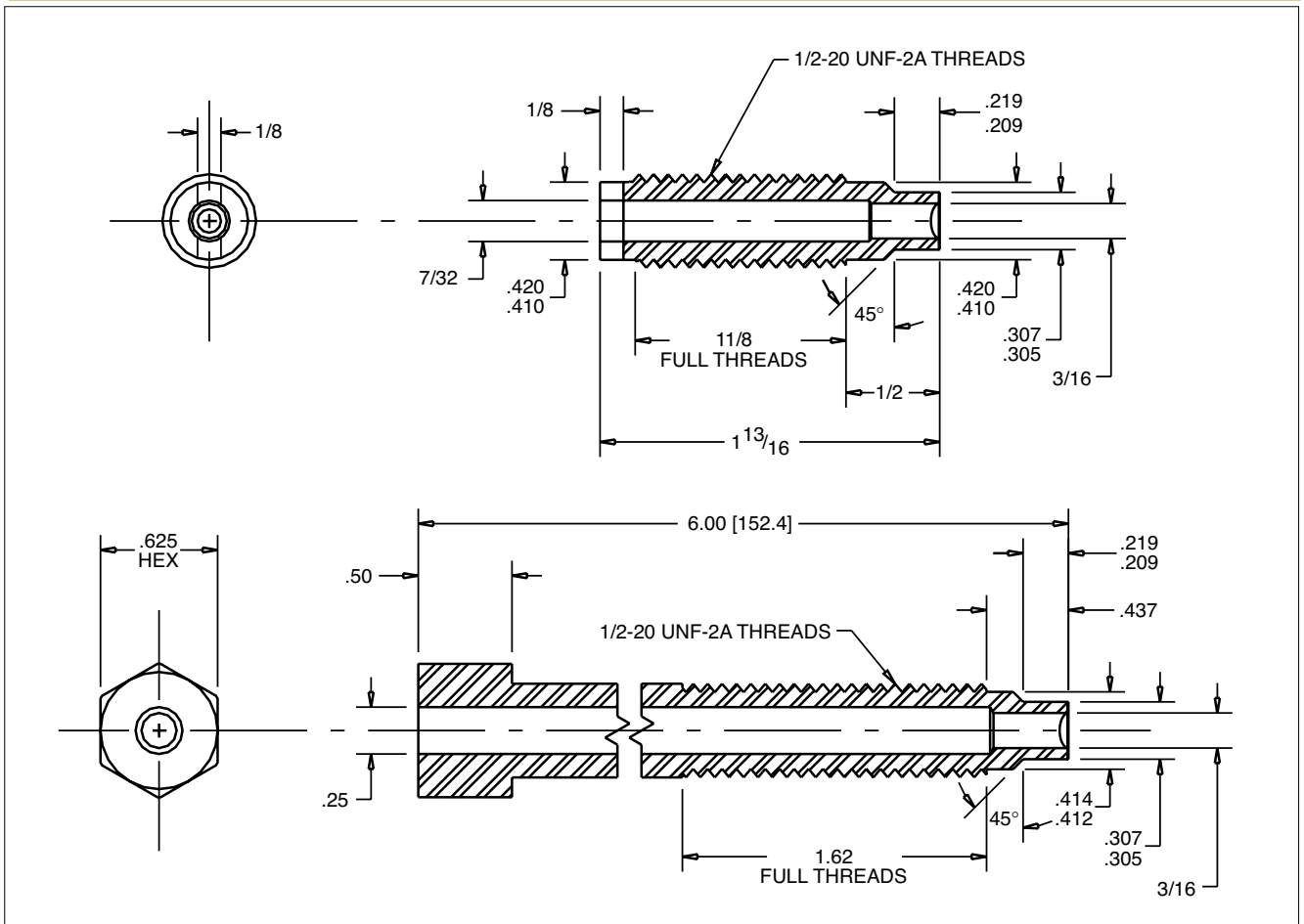
Rupture disks, also known as burst plugs or soft plugs, are used for emergency pressure relief of an extruder. They are designed to instantaneously rupture at a specific pressure.

This provides reliable relief in applications where rapid pressure buildup can occur, protecting both personnel and equipment.

For best life, the recommended pressure rating is ≥ 1.4 times normal operating pressure.

Do not exceed the high-pressure specification.

MECHANICAL DIMENSIONS



ORDER CODE

GRD -

PRESSURE RATING (psi)	
2,500 psi	2500
3,000 psi	3000
3,500 psi	3500
5,000 psi	5000
5,500 psi	5500
7,500 psi	7500
8,500 psi	8500
9,500 psi	9500
10,000 psi	10000
12,000 psi	12000
15,000 psi	15000

CONFIGURATION	
6"with 5/8"Hex	6.0
1.8"with Slot	1.8

Example: GRD5000-6.0

6.0" Rupture Disk with 5/8"Hex, rated to 5,000 psi