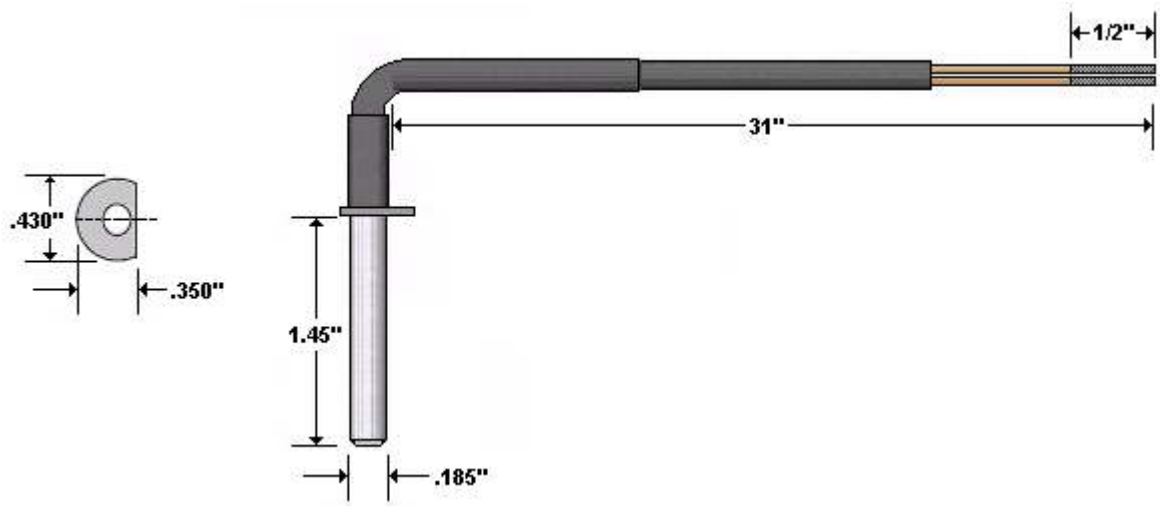


HAYSEEN Style RTD

HAY-10327A1068



Product Specifications

Part #:	HAY-10327A1068
Element:	100 ohm @ 0°C .00385 temperature coefficient. Class B. 2 wire
Probe:	316 Stainless steel. MGO filled & epoxy sealed
Epoxy:	500°F rated
Lead wire:	24 awg. 19 strand. Mica tape/Mica glass
Insulation:	Polyolefin heat shrink tube 220°F
Termination:	stripped leads
OEM #:	10327A1068

SOUTHWEST HEATER AND CONTROLS

Main# 214-340-7500

Toll Free#: 800-687-2220

EMAIL: sales@swhc.com

WEB: www.swhc.com