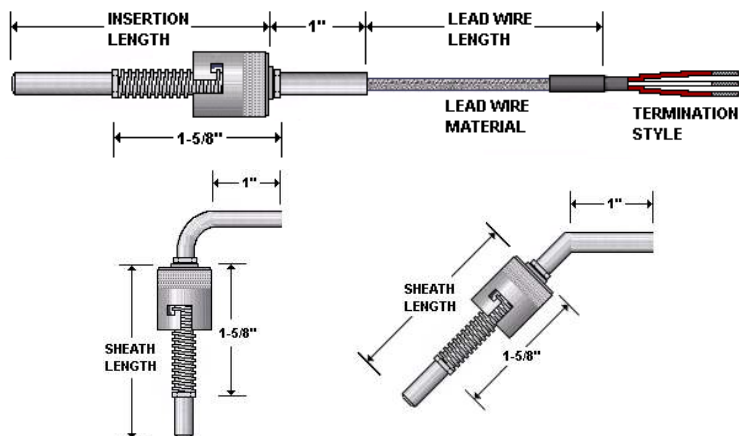


# Style RA3

## Fixed depth bayonet RTD



### Ordering Information Part Number

① RA3	② Element Type	③ Element Accuracy	④ Wire Configuration	⑤ Sheath Diameter	⑥ Sheath Config./ Cap size	⑦ Insertion Length (inches)	⑧ Insertion Length (Fractional)	⑨ Lead Wire Material	⑩ Lead wire Length (inches)	⑪ Termination Style	⑫ Special Features
RA3											

### Optional

②	Element type
T	100 Ω DIN 00385 (thin film)
U	500 Ω DIN 00385 (thin film)
W	1000 Ω DIN 00385 (thin film)
X	120 Ω Nickel DIN 00672 (thin film)
Y	100 Ω DIN 003916 (wire wound)
Z	500 Ω DIN 003916 (wire wound)
Q	10 Ω copper (thin film)

⑥	Sheath Configuration/ Cap Size
P	Straight w/ 7/16" Single slot cap
Q	45 Degree w/ 7/16" Single slot cap
R	90 Degree w/ 7/16" Single slot cap

⑩	Lead wire length
006"-600"	Specify in Inches
<b>Note</b>	<b>Over 600" contact factory</b>

③	Element Accuracy (0 °C)
A	Class A (0.06%)
B	Class B (0.12%)

⑦	Insertion Length (whole in.)
002"-020"	Specify in Inches

⑪	Termination style
A	2" stripped leads (bare ends) (standard)
B	2" stripped leads w/ #8 spade lugs
C	Standard male 2 pin plug (400°F)
D	Standard male 3 pin plug (400°F)
F	Standard 2 pin female jack (400°F)
G	Standard 3 pin female jack (400°F)
H	Miniature male 2 pin plug (400°F)
P	Miniature male 3 pin plug (400°F)
J	Miniature female 2 pin jack (400°F)
K	Miniature female 3 pin jack (400°F)
R	Dual molded male 4 pin plug (for dual 2 wire)
T	Dual molded female 4 hole jack (for dual 2 wire)
W	2" stripped leads w/ pin terminals
Q	2" stripped leads w/ wire ferrules
X	Extra long lead wire length (beyond 2" stripped leads) <b>(specify extra long lead wire length below)</b>
006"-240"	<b>006"-240"</b> Specify in Inches

④	Wire Configuration
2	2-wire
3	3-wire
4	4-wire
5	2-wire (Dual)
6	3-wire (Dual)

⑧	Insertion Length (fractional in.)
A	0
B	1/8"
C	1/4"
D	3/8"
E	1/2"
F	5/8"
G	3/4"
H	7/8"

⑤	Sheath Diameter (RTD)
H	.125" (3.2mm) (1/8")
L	.188" (4.6mm) (3/16")
<b>Note</b>	<b>For reference only (standard tolerances apply)</b>
<b>Note</b>	<b>For other diameters consult factory</b>

⑨	Lead wire material
A	Fiberglass (800°F)
B	Fluoropolymer (400°F)
C	Fiberglass with stainless steel braid (800°F)
D	Fluoropolymer with stainless steel braid (400°F)
E	Fiberglass with armor cable (800°F)
F	Fluoropolymer with armor cable (400°F)
G	Fiberglass with stainless steel braid (800°F) w/ armor cable
H	Fluoropolymer with stainless steel braid (400°F) w/ armor cable

⑫	Special features (Optional)
<b>Note</b>	<b>Leave blank for no special features</b>
02	1.5" long strain relief spring
03	1.5" long heat shrink where wire exits the probe
04	Flat tip probe
05	Drill point tip
06	Epoxy seal (500°F)
07	Cable clamp
08	Bx Connector
09	Mating connector
18	Moisture protection boot on connector
21	Fluoropolymer coated armor cable
44	Bayonet cap spins along spring (TA3 & RA3 only)

SOUTHWEST HEATER AND CONTROLS

Main# 214-340-7500

Toll Free#: 800-687-2220

EMAIL: sales@swhc.com

WEB: www.swhc.com