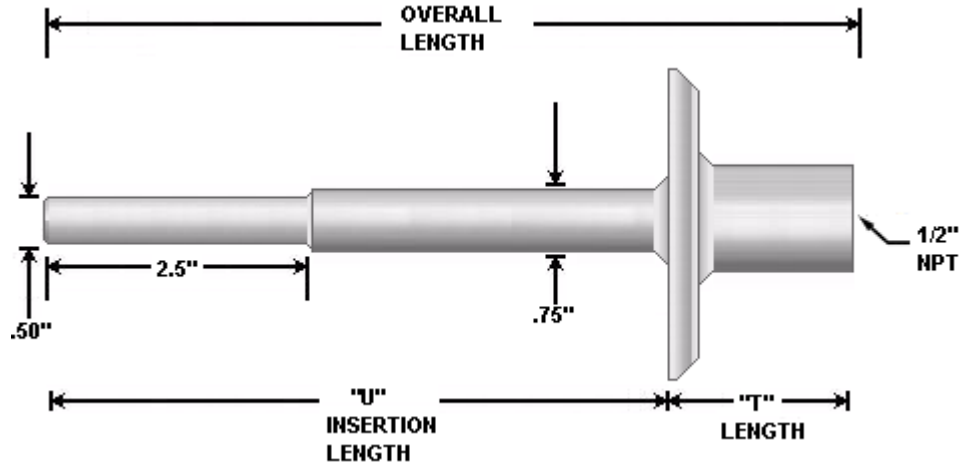


# Sanitary Thermowell - Stepped Series 301



## Ordering Information Part Number

① 301	② Process Connection size	③ Bore Size	④ "U" Insertion Length	⑤ "U" Insertion Length (Frac.In)	⑥ "T" Length	⑦ Well Material
301						

②	Process connection size (CIP sanitary)
X02	1.5" (for 1" or 1.5" tube size)
X03	2" (for 2" tube size)
X04	2.5" (for 2.5" tube size)

③	Bore Size
G	.265"
H	.390"

④	"U" Insertion Length
002"-048"	Specify in Inches
	<i>Over 048" contact factory</i>

⑤	"U" Insertion Length (fractional in.)
A	0
B	1/8"
C	1/4"
D	3/8"
E	1/2"
F	5/8"
G	3/4"
H	7/8"

⑥	"T" Length
F	1.75"

⑦	Well Material
P	316 SS
R	316 L SS

- **Not all bore sizes available in all configurations**
- **Diameter is determined by process thread size**
- **Other well materials available**

**SOUTHWEST HEATER AND CONTROLS**