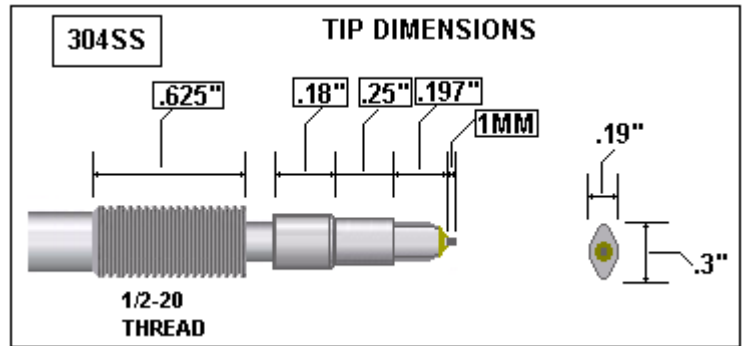
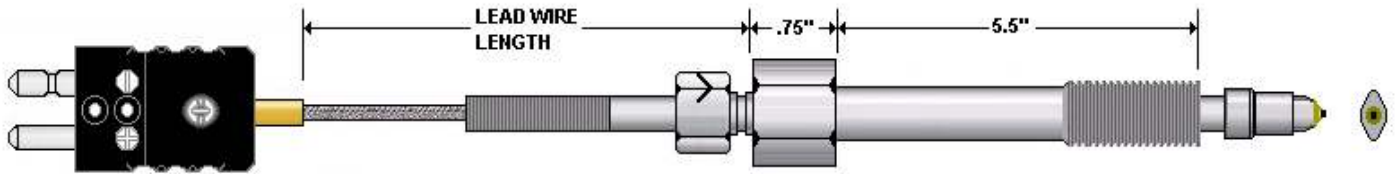


# Style TK5 Elliptical Tip Melt Bolt Thermocouple



## Ordering Information Part Number

① TK5	② Melt bolt style	③ Elliptical tip length	④ Calibration	⑤ Tip Diameter (In.)	⑥ Junction	⑦ Lead wire material	⑧ Lead wire length (In.)	⑨ Termination style	⑩ Special Features
TK5	E			P					

②	Melt bolt style
E	Adjustable elliptical tip (316SS)

③	Elliptical tip length
05	5MM
14	14MM

④	Calibration
J	Type J (standard)
K	Type K
T	Type T
E	Type E
W	Type J (special limits)
X	Type K (special limits)
Y	Type T (special limits)
Z	Type E (special limits)

⑤	Tip Diameter (In.)
P	.190" X .300"

⑥	Junction
G	Grounded (Single) (standard)
U	Ungrounded (Single)

⑦	Lead wire material
A	Fiberglass (800°F)
B	Teflon FEP (400°F)
C	Kapton (500°F)
F	Fiberglass with stainless steel braid (800°F) (standard)
G	Teflon FEP with stainless steel braid (400°F)
H	Fiberglass with armor cable (800°F)
J	Teflon FEP with armor cable (400°F)
K	Kapton with armor cable (500°F)
M	Fiberglass/ Stainless steel braid with armor cable (800°F)
W	Teflon with stainless steel braid with armor cable (400°F)
Note	Wire gauge based on sheath diameter

⑧	Lead wire length (In.)
012"-960"	Specify in Inches
Note	Over 960" contact factory

⑨	Termination style
A	2" stripped leads (bare ends)
B	2" stripped leads w/ spade lugs
C	Standard male plug (400°F)
D	High temp male Plug (660°F)
E	Max temp male Plug (800°F)
G	Solid pin plug (400°F)
H	Standard female jack (400°F)
J	Miniature plug (400°F)
K	Miniature jack (400°F)
W	2" stripped leads w/ pin terminals
Q	2" stripped leads w/ wire ferrules
X	Extra long lead wire length (beyond 2" stripped leads) (specify extra long lead wire length below)
006"-240"	006"-240" Specify in Inches

⑩	Special features (Optional)
Note	Leave blank for no special features
07	Cable clamp
08	BX Connector
09	Mating connector
18	Moisture protection boot on connector

- Elliptical tip aligns with indicating arrow on adjusting hex
- ECS elliptical tip melt bolt thermocouples are mineral insulated for better tip sensitivity and durability

**Compare to Graff 7043 & Gefran TCMGF**

**SOUTHWEST HEATER AND CONTROLS**

Main# 214-340-7500

Toll Free#: 800-687-2220

EMAIL: sales@swhc.com

WEB: www.swhc.com