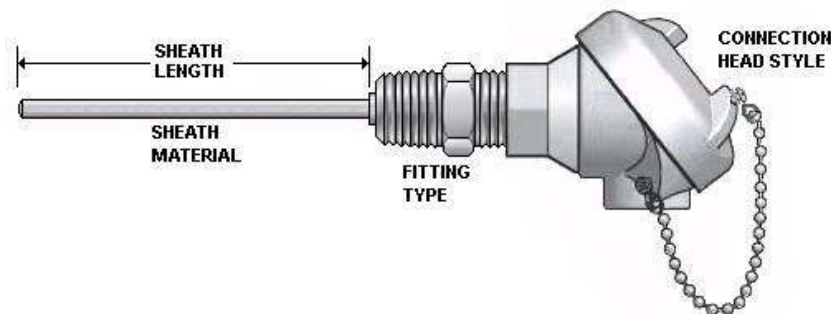


# Style TN1

## Mineral insulated thermocouple w/connection head



### Ordering Information Part Number

① TN1	② Calibration	③ Sheath Diam.	④ Sheath Material	⑤ Sheath Length (whole In.)	⑥ Sheath Length (fractional In.)	⑦ Junction	⑧ Head Mounting Fitting	⑨ Connection head style
TN1								

### Optional

⑩ Special Features	⑪ Attached Fitting	⑫ Insert. Length (whole In.)	⑬ Insertion Length (frac. In.)	⑭ Trans. temp range	⑮ Scale of Temp.

② Calibration
J Type J (standard)
K Type K
T Type T
E Type E
W Type J (special limits)
X Type K (special limits)
Y Type T (special limits)
Z Type E (special limits)

③ Sheath Diameter
H .125" (3.2mm) (1/8")
L .188" (4.6mm) (3/16")
M .236 (6mm)
N .250" (6.4mm) (1/4")
P .314" (8mm) (5/16")
Q .375" (9.5mm) (3/8")

④ Sheath Material
F 304 SS (standard)
H 316 SS
M INCONEL (600)
N 446 SS
P 310 SS
Q Hastelloy
R Pyrosil D

⑤ Sheath Length (whole In.)
001"-144" Specify in Inches

⑥ Sheath Length (fractional in.)
A 0
B 1/8"
C 1/4"
D 3/8"
E 1/2"
F 5/8"
G 3/4"
H 7/8"

⑦ Junction
G Grounded (Single)
U Ungrounded (Single)
E Exposed (Single)
R Exposed & Recessed (Single)
W Grounded (Dual )
X Ungrounded & Isolated (Dual)
Y Ungrounded Common (Dual)
Z Exposed & Isolated (Dual)
Note <i>Ungrounded &amp; Isolated only available in .156"OD &amp; larger</i>

⑧ Head Mounting Fitting
06 1/2"npt x 1/2"npt double thread
07 1/2"npt x 1/2"npt double thread Spring loaded
08 1/2"npt x 1/2"npt double thread spring loaded w/oil seal
09 1/2"npt x 3/4"npt double thread
10 3/4"npt x 3/4"npt double thread
12 Single threaded brass compression fitting (no process thread)
13 Single threaded stainless compression fitting (no process thread)
14 1/2"npt x 1"npt double thread
15 1/2"npt x 1/4"npt double thread
16 1/4"npt x 1/4"npt double thread
17 1/2"npt single thread bushing (no process thread)
18 1/4"npt single thread bushing (no process thread)
Note <i>For other fittings not shown contact factory</i>

⑨ Connection Head Style
A Cast Aluminum (standard) NEMA 6 IP67 rated
B Small cast Aluminum
C Flip top head cast aluminum
D Cast steel
E Stainless Steel
F Cast Iron
G Polypropylene
H Explosion proof cast aluminum
Q Explosion proof 316 Stainless steel
R Explosion proof cast aluminum DUAL conduit
S Mini aluminum screw down cover
W Cast Aluminum NEMA 4X IP68 rated

### Optional

⑩ Special features (optional)
Note See next page

⑪ Attached Fitting (optional)
Note See next page

⑫ Insertion length (whole in.)
Note See next page

⑬ Insertion Length (frac.in.)
Note See next page

⑭ Transmitter Temperature Range
Note See next page

⑮ Transmitter Temperature Range
Note See next page

See next page for optional attached fittings & special features (Fields 10,11,12 ,13,14 &15)

**SOUTHWEST HEATER AND CONTROLS**

Main# 214-340-7500

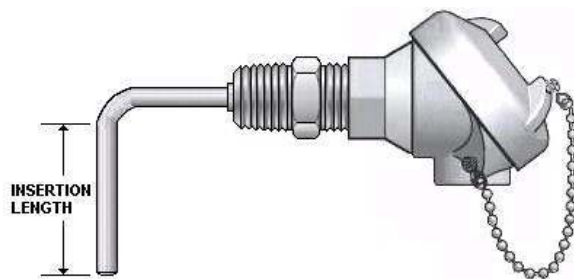
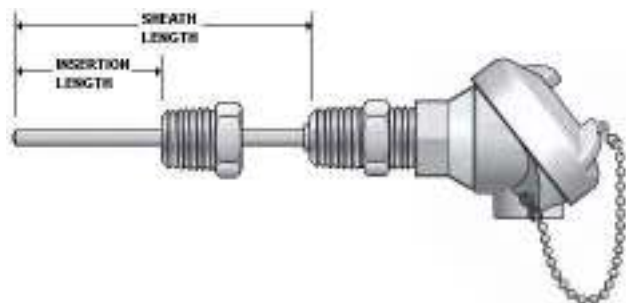
Toll Free#: 800-687-2220

EMAIL: sales@swhc.com

WEB: www.swhc.com

# Style TN1

## Mineral insulated thermocouple w/connection head



**Option "17"**  
4/20 Milliamp transmitter  
(hockey puck style)

*Continue part number from previous page*

### Ordering Information Part Number

⑩ Special Features	⑪ Attached Fitting	⑫ Insertion Length (whole in.)	⑬ Insertion Length (Frac.in.)

### For transmitter only

⑭ Transmitter temperature range	⑮ Scale of Temperature

⑩	Special features (Optional)
Note	<i>Leave blank for no special features</i>
04	Flat tip probe
17	4/20 Milliamp transmitter (hockey puck style) (See step 14&15)
24	Fluoropolymer covered probe
28	90 Degree bend
30	45 Degree bend

⑪	Attached Fitting type (optional)
Note	<i>Leave blank for no attached fitting</i>
F01	1/8"npt single thread
F02	1/4"npt single thread
F03	3/8"npt single thread
F04	1/2"npt single thread
F05	3/4"npt single thread
F06	1/2"npt x 1/2"npt double thread
F07	1/2"npt double thread Spring loaded
F08	1/2"npt x 1/2"npt double thread Spring loaded w/oil seal
F09	1/2"npt x 3/4"npt double thread
F10	3/4"npt x 3/4"npt double thread
F11	Fixed 7/16"ID bayonet cap assembly (on probe) (1/8"OD, 3mmOD & 3/16"OD)
F15	1"npt single thread
F16	Adjustable 7/16"ID bayonet cap fitting (1/8"OD & 3mm OD)
F17	Adjustable 12.5mm ID double slot bayonet cap fitting (1/8"OD & 3mm OD)
F18	1/8"npt compression fitting (Brass)
F19	1/8"npt compression fitting (Stainless steel)
F20	1/4"npt compression fitting (Brass)
F21	1/4"npt compression fitting (Stainless steel)
F28	1" circular mounting flange
Note	<i>For other fittings not shown contact factory</i>

⑫	Insertion Length (in.) (optional)
001"-144"	Specify in Inches
Note	<i>See pg. for attached fitting illustrations</i>

⑬	Insertion Length (fractional in.)
A	0
B	1/8"
C	1/4"
D	3/8"
E	1/2"
F	5/8"
G	3/4"
H	7/8"

### For transmitter only

⑭	Transmitter temperature range (Optional)
0-0000	Specify temperature range (example: 0-1200°F)

⑮	Transmitter Scale of temperature (Optional)
F	(°F) Fahrenheit
C	(°C) Celsius

**SOUTHWEST HEATER AND CONTROLS**

Main# 214-340-7500

Toll Free#: 800-687-2220

EMAIL: sales@swhc.com

WEB: www.swhc.com